

**INSTALLATION GUIDE FOR VESSEL GLASS SINK  
VERSION 2004**

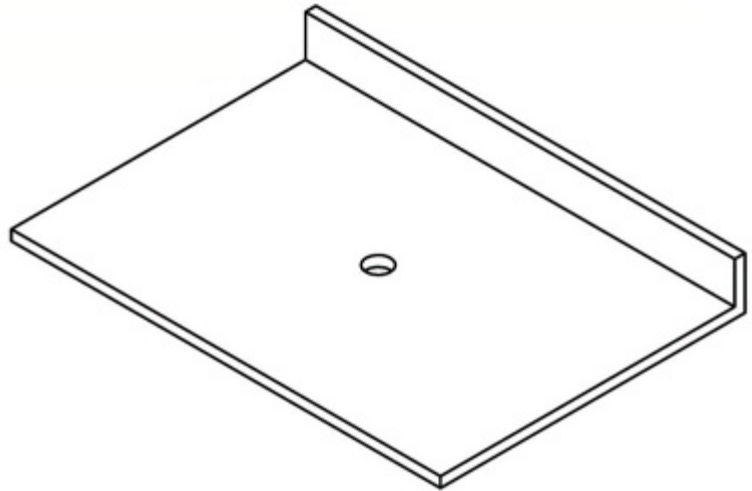
**Tools and Materials Needed:**

- Putty Knife
- Adjustable or Pipe Wrench
- Plumber's Putty or Caulking
- Tape Measure Drill
- Tubing Cutter or Hacksaw
- Screw Driver

**Step 1**

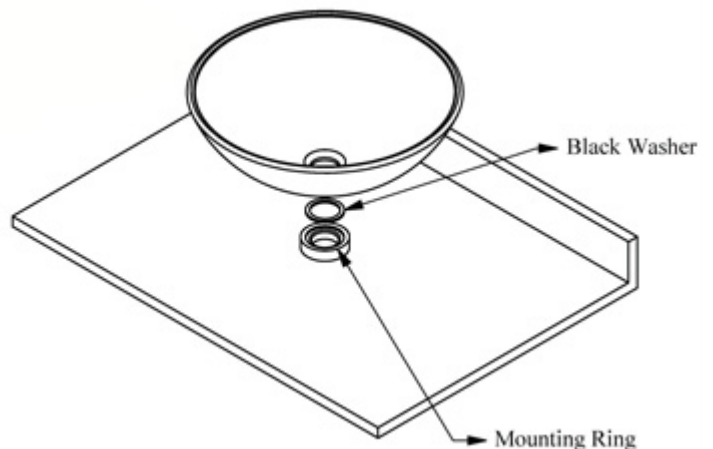
Drill a 1-3/4" hole on countertop. Provide proper clearance under the countertop for the faucet supply lines, drain assembly and structural parts of the cabinet (2" Minimum between sink's top edge and fitting centerline).

\*Countertop shown is for reference only



**Step 2**

Place Mounting Ring, Black Washer and Glass Bowl as shown.



**Step 3**

Connect trap to drain assembly (as shown), hand tighten to check alignment. It may be necessary to cut off part of the tailpiece or part of the horizontal leg in order to make everything fits properly with existing plumbing.

